

Bridge Diode

- D3UB80
- D4UB80
- GS3J x 4(SMC)
- GS5J x 4(SMC)

Fast Diode

- GR1M(SMA)
- F1MF(SMAF)
- FR107G(DO-41)
- Super Fast Diode**
- HS1M(SMA)
- HER108G(DO-41)

Fast Switch Diode

- 1N4148W
- (SOD-123)
- 1N4148WS
- (SOD-323)

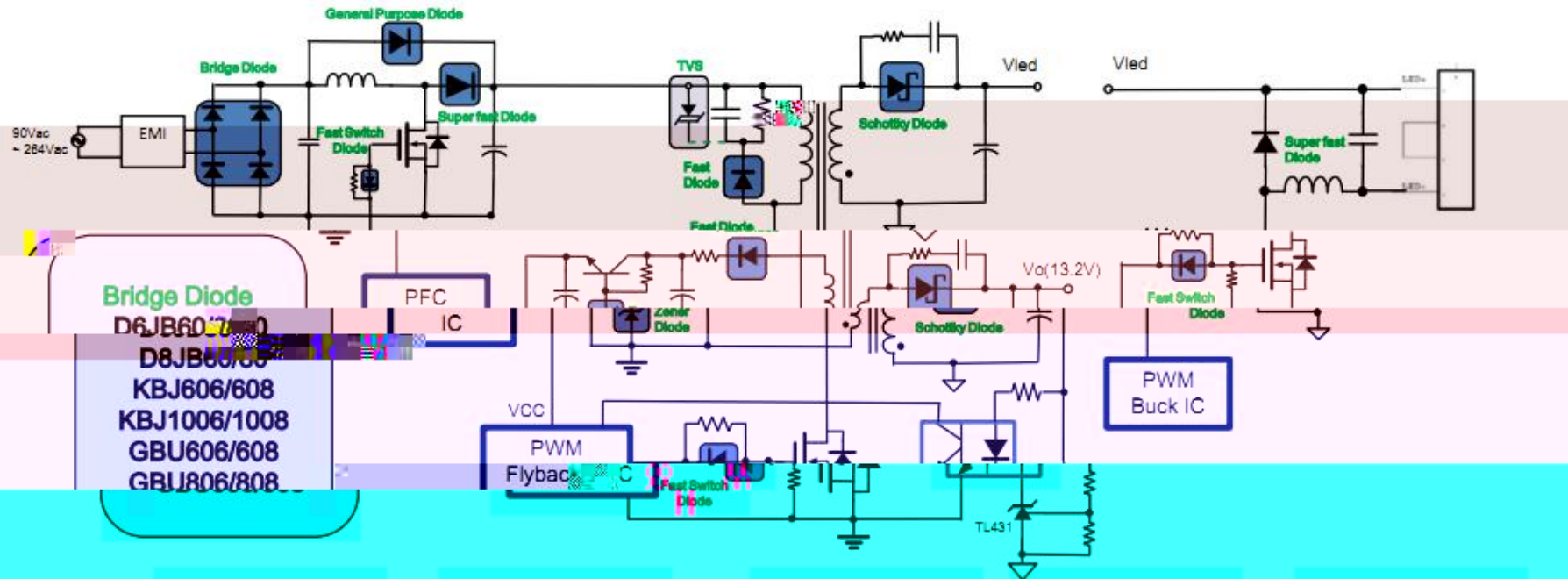
Super Fast Diode

- (TO-220AB)
- MBR20100FCT
- MBRL20100FCT
- (TO-252)
- SR20100CS
- SRT20L100D

Super Fast Diode

- ES2GA(SMA)
- SF26G-E(DO-15)

PSU(PFC+Flyback(+LED Driver(Buck)



Bridge Diode
D6JB60/70
D8JB60/65
KBJ606/608
KBJ1006/1008
GBU606/608
GBU1006/808

PWM Flyback IC

PWM Buck IC

General purpose
GS3M(SMC)
GS5M(SMC)
1N5408(DO-201AD)
Super Fast Diode
HER508G
(DO-201AD)
MUR1060FCT
(ITO-220AB)

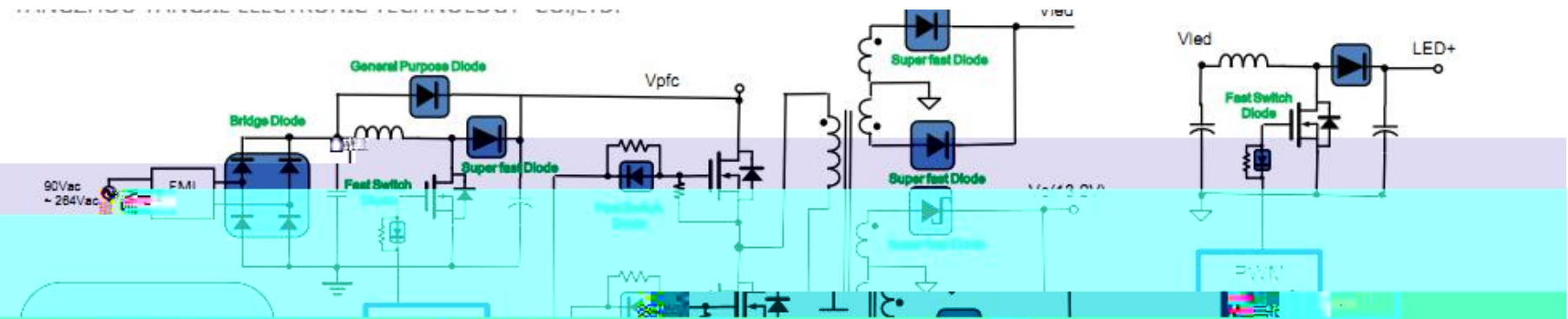
Fast Diode
GR1M(SMA)
F1MF(SMAF)
FR107G(DO-41)
Super Fast Diode
HS1M(SMA)
HER108G(DO-41)

Fast Switch Diode
1N4148W
(SOD-123)
1N4148WS
(SOT-23)

Schottky Diode
(ITO-220AB)
MBR20100FCT
MBRL20100FCT
(TO-252)
SR20100CS
SRT20L100D

Super Fast Diode
ES2GA(SMA)
SF26G-E(DO-15)

PSU(PFC+LLC(+LED Driver(Boost)



Bridge Diode
 1. High Voltage
 2. High Current
 3. High Reliability
 4. High Efficiency
 5. Low Loss

General purpose Diode
 1. High Voltage
 2. High Current
 3. High Reliability
 4. High Efficiency
 5. Low Loss

Super Fast Diode
 1. High Voltage
 2. High Current
 3. High Reliability
 4. High Efficiency
 5. Low Loss

Fast Diode
 1. High Voltage
 2. High Current
 3. High Reliability
 4. High Efficiency
 5. Low Loss

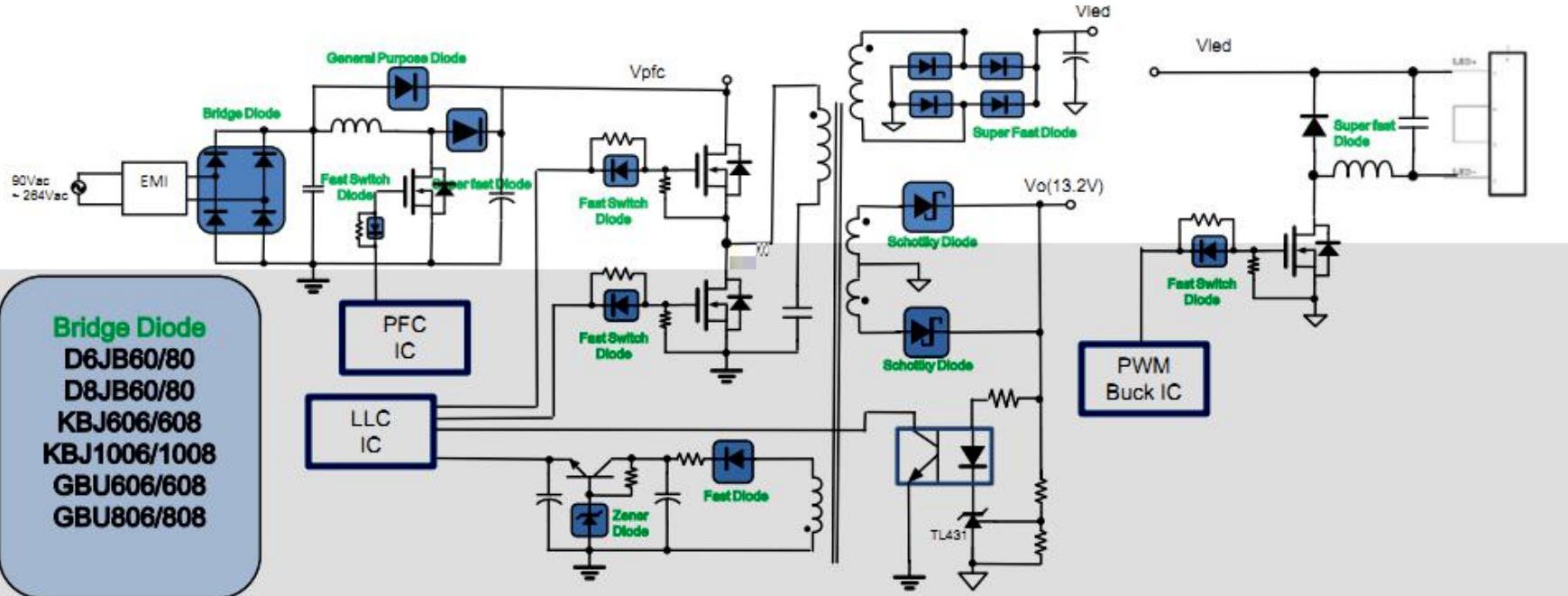
High-Efficiency Diode
 1. High Voltage
 2. High Current
 3. High Reliability
 4. High Efficiency
 5. Low Loss

Fast Switch Diode
 1. High Voltage
 2. High Current
 3. High Reliability
 4. High Efficiency
 5. Low Loss

Rectifying Diode
 1. High Voltage
 2. High Current
 3. High Reliability
 4. High Efficiency
 5. Low Loss

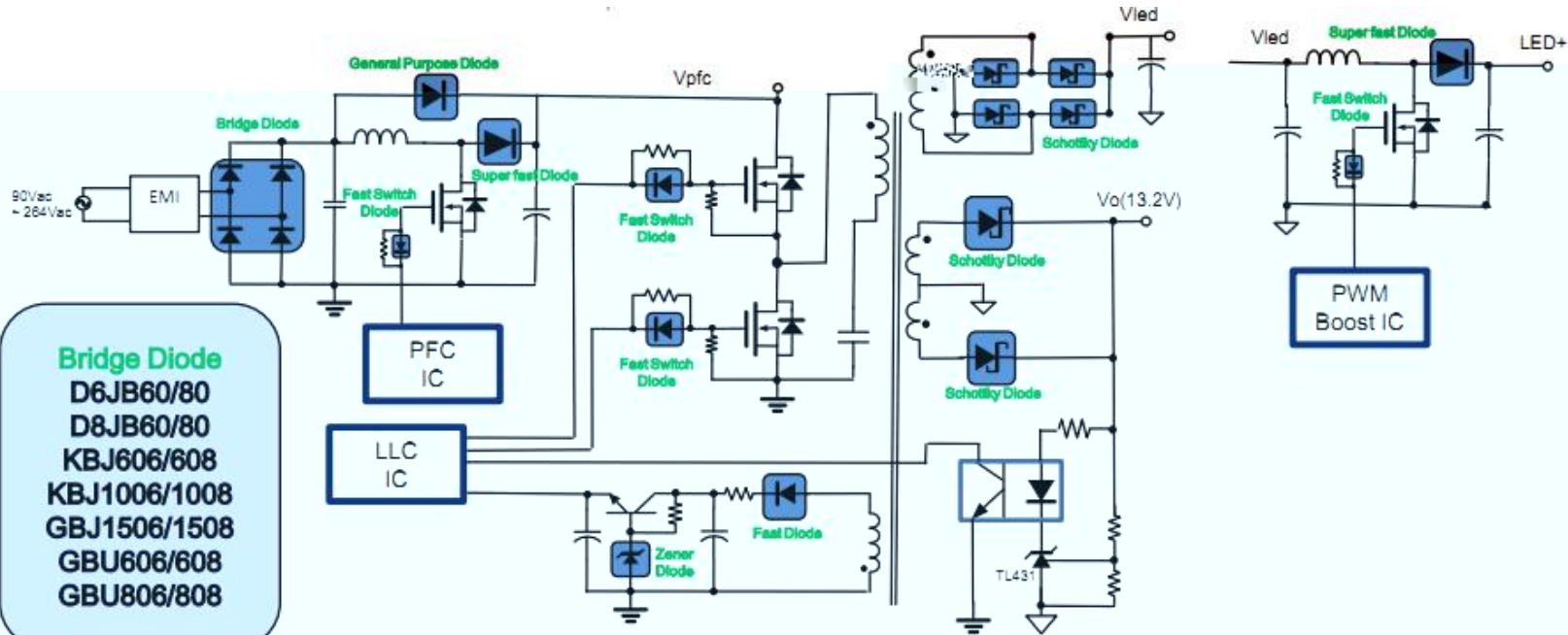
Rectifying Diode
 1. High Voltage
 2. High Current
 3. High Reliability
 4. High Efficiency
 5. Low Loss

Super Fast Diode
 1. High Voltage
 2. High Current
 3. High Reliability
 4. High Efficiency
 5. Low Loss



- Bridge Diode**
 D6JB60/80
 D8JB60/80
 KBJ606/608
 KBJ1006/1008
 GBU606/608
 GBU806/808

<p>GS3M(SMC) GS5M(SMC) 1N5408(DO-201AD) HFR1500G (DO-201AD) MUR1060FCT (TO-220AB)</p>	<p>GR1M(SMA) F1MF(SMAF) ER107G(DO-41)</p>	<p>1N4148V (SOD-123) N4148WS (SOD-323)</p>	<p>(TO-220AB) MBR2060FCT MBR20100FCT MBRL2060FCT MBR120100FCT</p>	<p>(TO-220AB) MBR10200FCT ES2JA(SMA) x 4 S1010E (DO-18) x 4</p>
<p>(TO-220AB) SRT10L60D SRT10L100D SRT23L100D</p>				



- Bridge Diode**
 D6JB60/80
 D8JB60/80
 KBJ606/608
 KBJ1006/1008
 GBJ1506/1508
 GBU606/608
 GBU806/808

- General purpose**
 GS3M(SMC)
 GS5M(SMC)
 1N4007(DO-201AD)

- Fast Diode**
 GR1M(SMA)
 F1MF(SMAF)
 EP107G(DO-41)

- Fast Switch Diode**
 1N4148W
 (SOD-123)
 1N4148WWS
 (SOD-323)

- Schottky Diode (ITO-220AB)**
 MBR2060FCT

- Schottky Diode (ITO-220AB)**
 MBR10200FCT

- Super Fast Diode**
 HER508G
 (DO-201AD)
 MUR1060FCT
 (ITO-220AB)

- High Efficient Diode**
 HS1M(SMA)
 HER108G(DO-41)

- Schottky Diode (TO-252)**
 MBR20100FCT
 MBRL2060FCT
 MBRL20100FCT
 (TO-252)
 SRT10L60D
 SRT10L100D
 SRT20L100D

- Super Fast Diode**
 ES2JA(SMA) x 4
 SF26G-E
 (DO-15) x 4